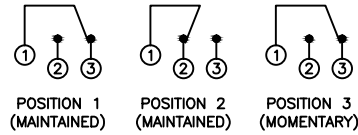


SCHMATIC



SPECIFICATIONS

FUNCTION:  
1P2T ON[1]-ON[2]-(ON[1])

RATING:  
ANSI/UL 1054 and CAN/CSA C22.2 No.55 (E194579):  
16A 125VAC [cURus]  
12A 250VAC [cURus]  
1HP 125/250VAC [cURus]

CONTACT RESISTANCE:  
Initial: 10mΩ Max.

TEMPERATURE:  
Operating: 0°C to 85°C [cURus]

ELECTRICAL LIFE:  
6,000 Cycles [cURus]

APPROVALS:



COLORS

BODY:  
White

ACTUATOR:  
White

MATERIALS

BODY:  
Polyamide 6/6 (PA66)

ACTUATOR:  
Polyamide 6/6 (PA66)

SPRING:  
Steel (65Mn)

HOOK SPRING:  
Stainless Steel (1Cr13)

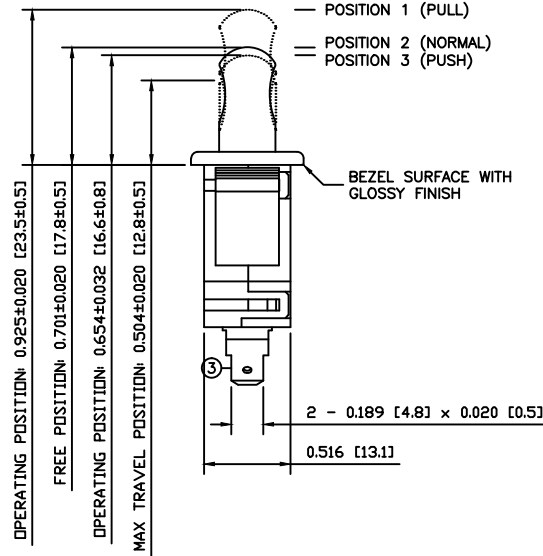
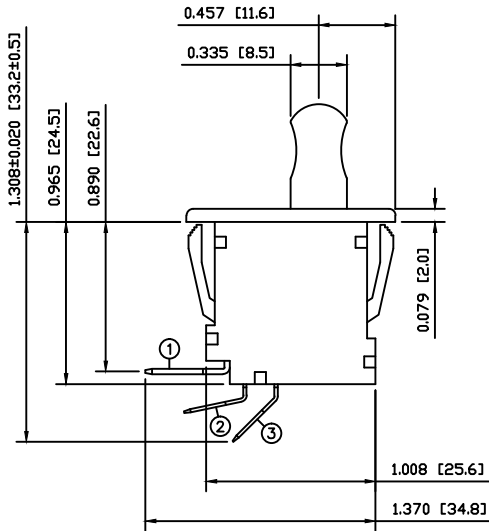
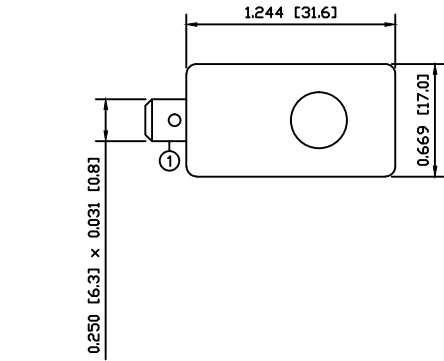
ACTUATION LEVER:  
Brass (H62)

MOBILE CONTACT BAR:  
Silver Plated Copper

MOBILE CONTACT:  
Silver/Nickel (AgNi(10))

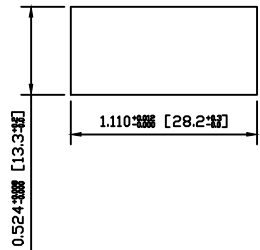
STATIONARY CONTACT:  
Silver/Nickel Clad Copper (AgNi(10)/Cu)

TERMINALS:  
Silver Plated Brass (H62)



OPERATING POSITION: 0.925±0.020 [23.5±0.5]  
FREE POSITION: 0.701±0.020 [17.8±0.5]  
OPERATING POSITION: 0.654±0.032 [16.6±0.8]  
MAX TRAVEL POSITION: 0.504±0.020 [12.8±0.5]

SUGGESTED PANEL CUTOUT



ACTUATOR	B	10/03/16	CAB
BODY	B	10/03/24	CAB
COLORS	A	09/10/23	CAB
MATERIALS	B	10/04/07	CAB
SPECIFICATIONS	-	-	-
REFERENCE	REV.	DATE	BY

THE INFORMATION CONTAINED IN THIS DOCUMENT IS PROPRIETARY TO E-SWITCH AND IS NOT TO BE COPIED OR TRANSFERRED.

REV.	A	INITIAL RELEASE DESCRIPTION	22582	11/9/16	MW
			PCR	DATE	DRAWN BY

DIMENSIONS	
INCHES [MILLIMETERS]	
GENERAL TOLERANCES	
±0.008 [±0.2] / ±1*	
SCALE	PROJECTION
DRAWING NOT TO SCALE	1st Angle

**E-SWITCH®**

TITLE: PP1-FT7-2B2

ITEM NUMBER	DATE	REVISION
34-PP1FT72B2	11/9/16	A

0.250 [6.3] x 0.031 [0.8]

1.308±0.020 [33.2±0.5]  
0.965 [24.5]  
0.890 [22.6]

0.457 [11.6]  
0.335 [8.5]

0.079 [2.0]

1.008 [25.6]  
1.370 [34.8]

POSITION 1 (PULL)  
POSITION 2 (NORMAL)  
POSITION 3 (PUSH)

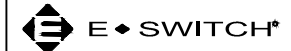
BEZEL SURFACE WITH GLOSSY FINISH

2 - 0.189 [4.8] x 0.020 [0.5]  
0.516 [13.1]

OPERATING POSITION: 0.925±0.020 [23.5±0.5]  
FREE POSITION: 0.701±0.020 [17.8±0.5]  
OPERATING POSITION: 0.654±0.032 [16.6±0.8]  
MAX TRAVEL POSITION: 0.504±0.020 [12.8±0.5]

0.524±0.008 [13.3±0.2]

1.110±0.008 [28.2±0.2]



PP1-FT7-2B2

ITEM NUMBER	DATE	REVISION
34-PP1FT72B2	11/9/16	A